



## TS4-A-2F

### PV Module Advanced Add-On

The TS4-A-2F (Fire Safety) is the advanced add-on rapid shutdown solution that brings smart module functionality to standard PV modules for higher reliability. Ensure safety by upgrading existing PV systems or by adding safety features to new installations.

The TS4-A-2F complies with NEC 2017 690.12 Rapid Shutdown specifications when installed with the Tigo RSS Transmitter or an inverter with built-in Tigo certified transmitter.

#### Included Features



Fire Safety

Enhanced **safety** for NEC 690.12 rapid shutdown compliance

#### Easy Installation

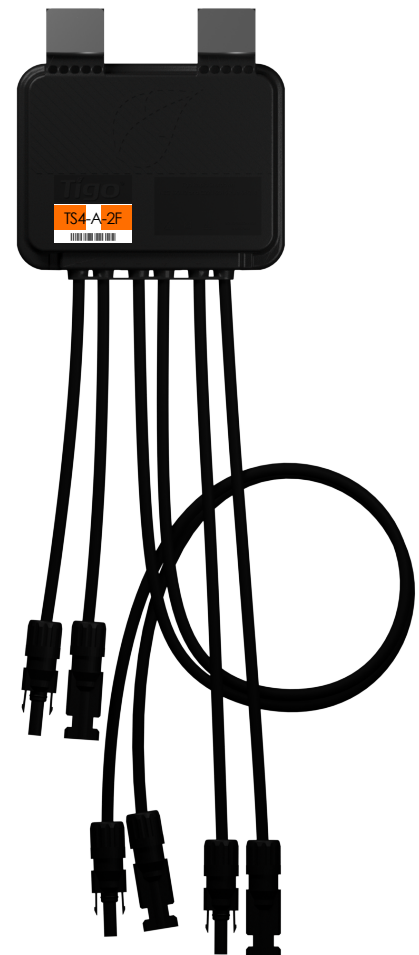
Snap to standard module frame or remove brackets for rack mounting

#### PLC Signaling

Control rapid shutdown with the Tigo RSS Transmitter

#### Automatic Shutdown

PV array enters rapid shutdown in event of AC grid loss



# TS4-A-2F SPECIFICATIONS

## Environmental

Operating Temperature Range -40°C to +70°C (-40°F to +158°F)

Outdoor Rating IP68, NEMA 3R

## Mechanical

Dimensions 138.4mm x 139.7mm x 22.9mm

Weight 590g

## Electrical

Voltage Range (per input) 16 - 90V

Maximum Current (per input) 15A

Maximum Power (total) 1000W

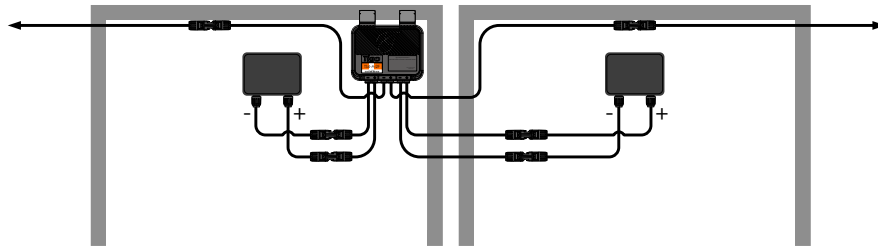
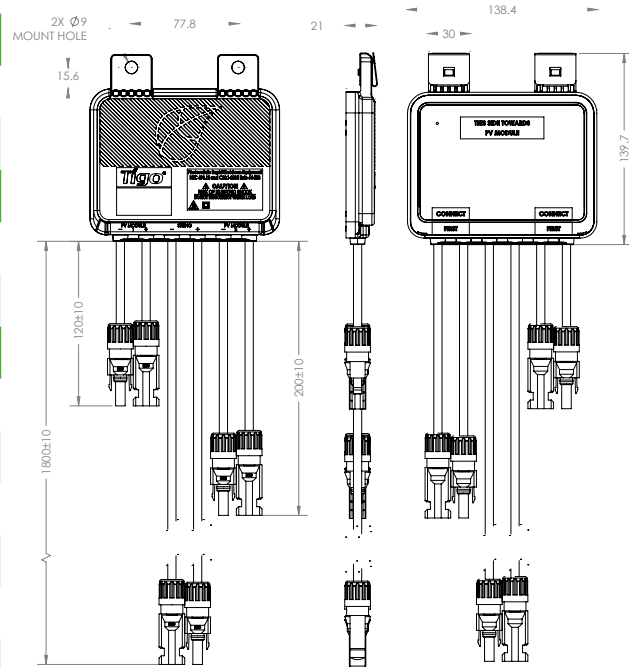
Output Cable Length 1.2m or 2.2m

Connectors MC4 (standard)

Communication Type PLC

Rapid Shutdown UL Listed (NEC 2014 & 2017 690.12) Yes

Rapid shutdown activation of TS4-A-2F requires RSS Transmitter.



Installation example: Serial connection of two PV modules to a TS4-A-2F

## ORDERING INFORMATION

### Standard

484-00252-12 1500V UL, 1.2m cable, MC4

484-00252-22 1500V UL, 2.2m cable, MC4

### For sales info:

[sales@tigoenergy.com](mailto:sales@tigoenergy.com) or 1.408.402.0802

### For product info:

Visit [tigoenergy.com/products](http://tigoenergy.com/products)

### For technical info:

Visit [support.tigoenergy.com](http://support.tigoenergy.com)



For additional info and product selection assistance, use Tigo's online design tool at [tigoenergy.com/design](http://tigoenergy.com/design)