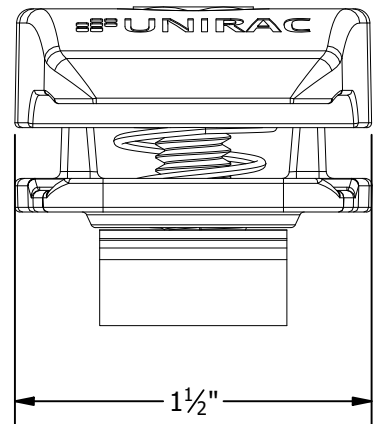
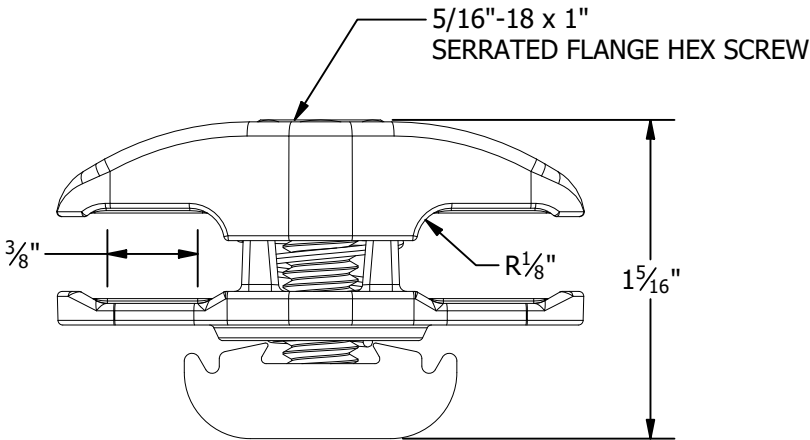
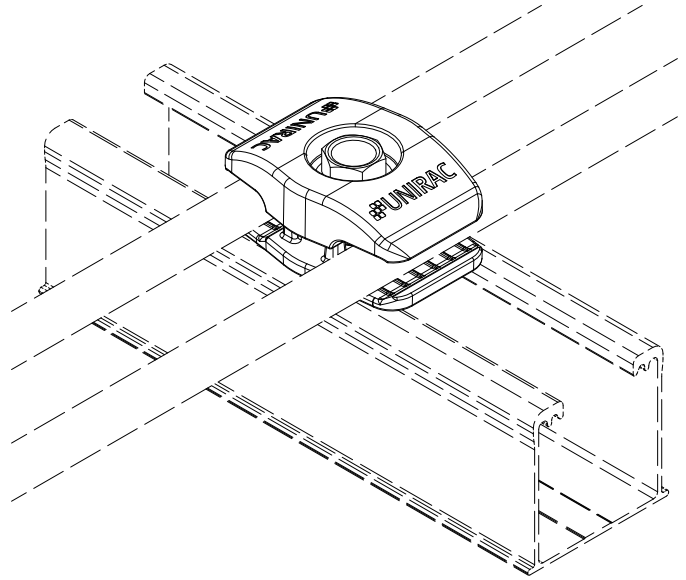
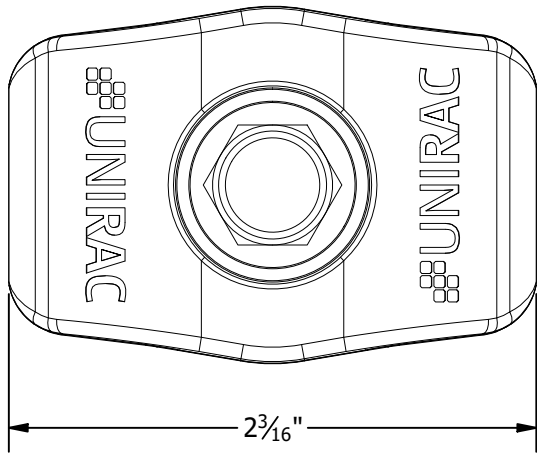


PART # TABLE	
P/N	DESCRIPTION
WRMCNSD1	NXT UMount NS WIRE MGMT CLIP



UNIRAC[®]

1411 BROADWAY BLVD. NE
ALBUQUERQUE, NM 87102 USA
PHONE: 505.242.6411
WWW.UNIRAC.COM

PRODUCT LINE:	NXT UMount
DRAWING TYPE:	PARTS ASSEMBLY
DESCRIPTION:	NS WIRE MGMT CLIP
REVISION DATE:	11/17/2022

DRAWING NOT TO SCALE
ALL DIMENSIONS ARE
NOMINAL

PRODUCT PROTECTED BY
ONE OR MORE US PATENTS

LEGAL NOTICE

NU-A07

SHEET